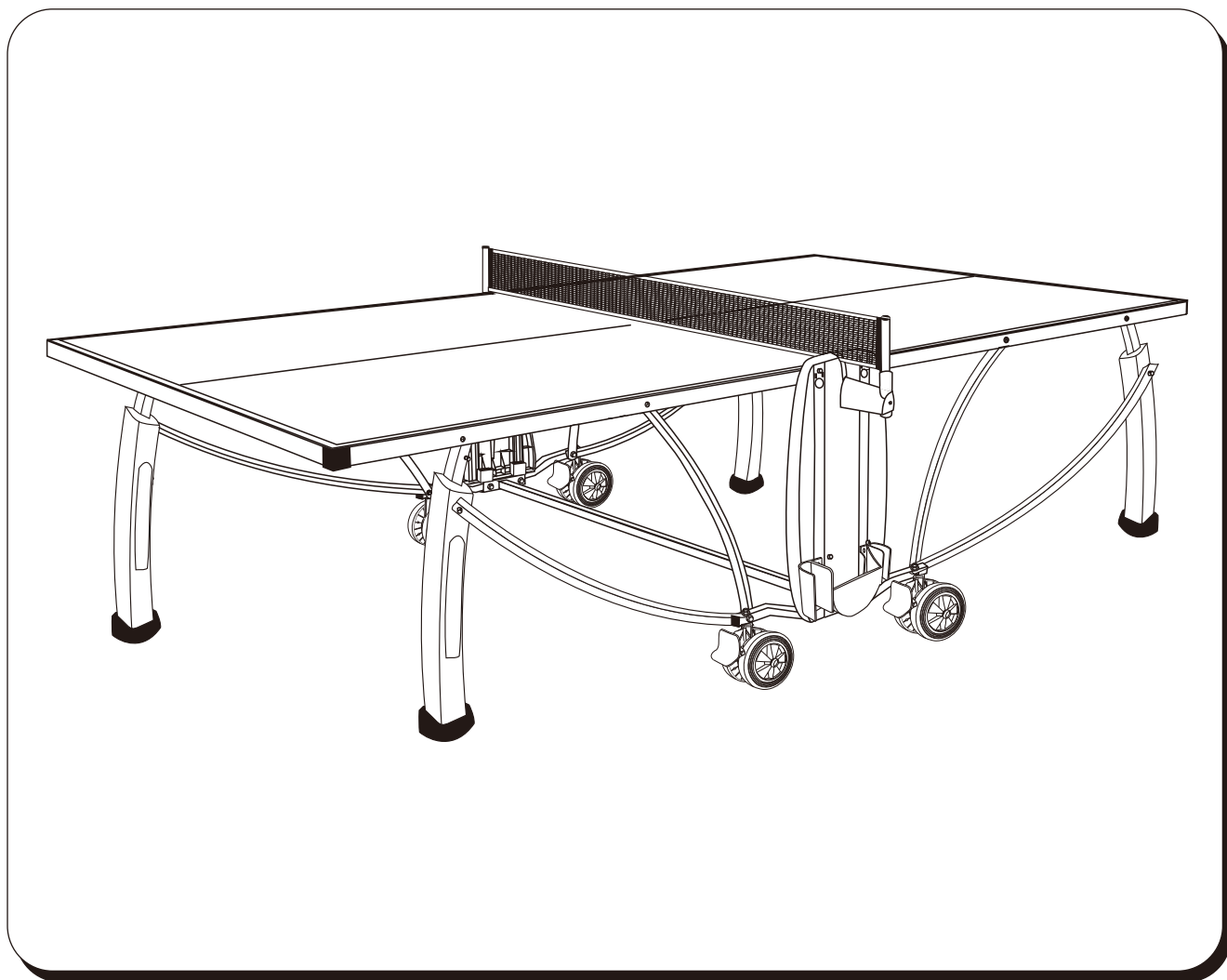


ASSEMBLE INSTRUCTION



INDOOR

! Before starting to assemble the table tennis table and before using it for the first time please read the assembly instructions and the information for the user very carefully. They contain important advice for safety when using the table. Please keep the instructions for your information, for maintenance and for ordering spare parts as long as you use the table tennis table.

★ At least **two adults** are needed to assemble the table tennis table which should be carried out on a clean and soft floor where possible.

★ Before commencing the assembly, check all the parts according to the Parts List and make sure that are all present and correct.

★ Please follow the ABC references for the order of the assembly.

★ If there is a **text mark**, please read the explanation on page 11.

★ If there is a **part mark**, please read the information relating to it in the Parts List on page 3.

★ Please use the tools as indicated for each of the assembly stages.



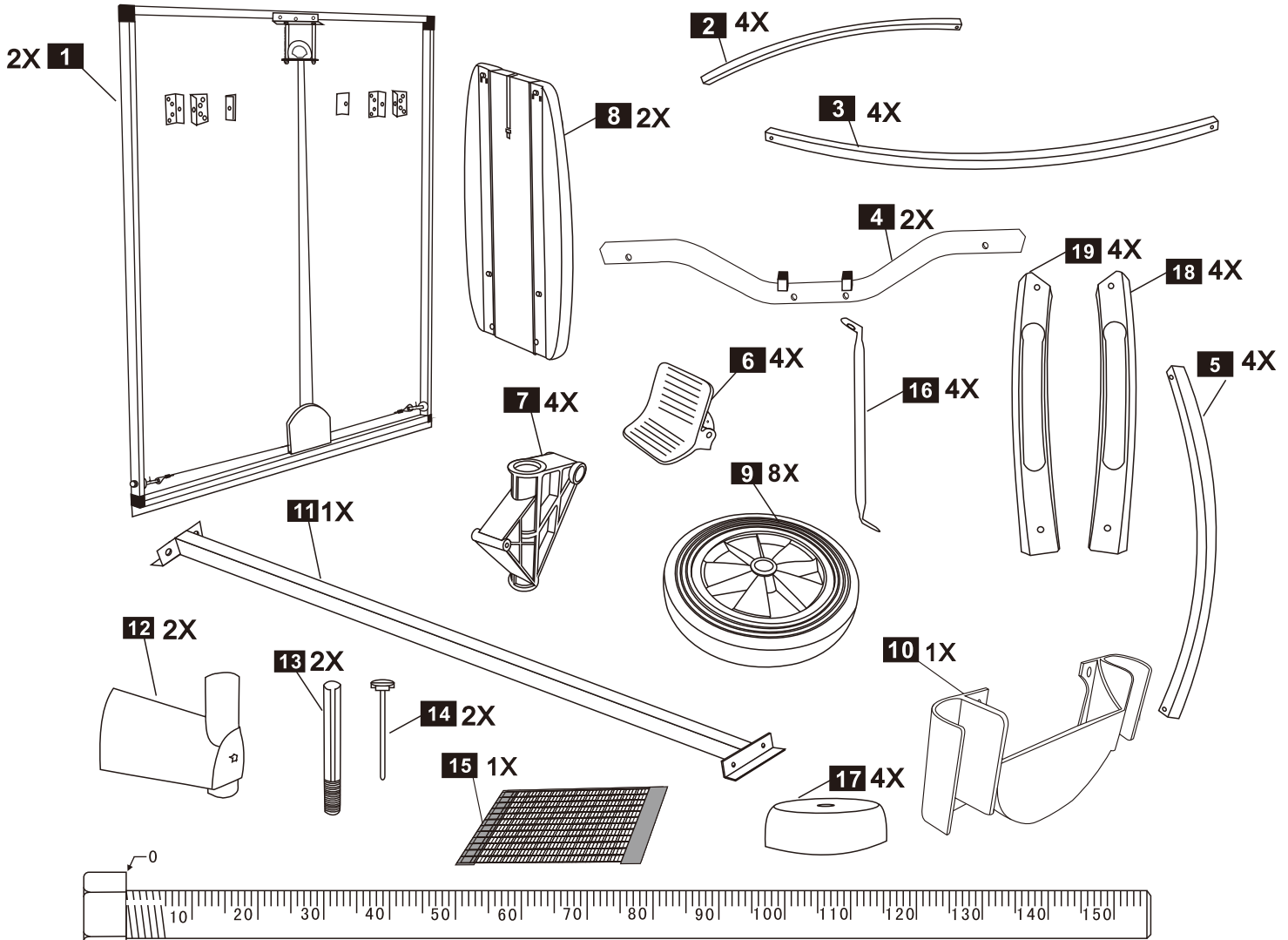
———— Text mark



———— Part mark



———— Tool



4X

C4 M6X150

4X

C1 M6X45

4X

C5 M6X45

4X

B1 M6X80

4X

A1 M6X75

2X

B2 M5X10

4X

E2 M6X90

4X

F1 M5X25

2X

D1

4X

C3 M6X16

4X

B4 M6X100

4X

B3 M10X45

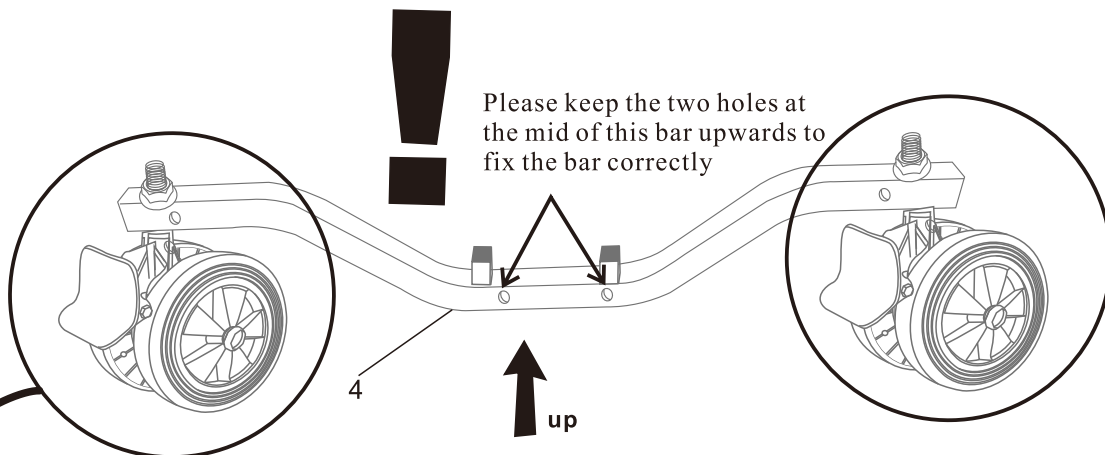
4X

A2 M12X180

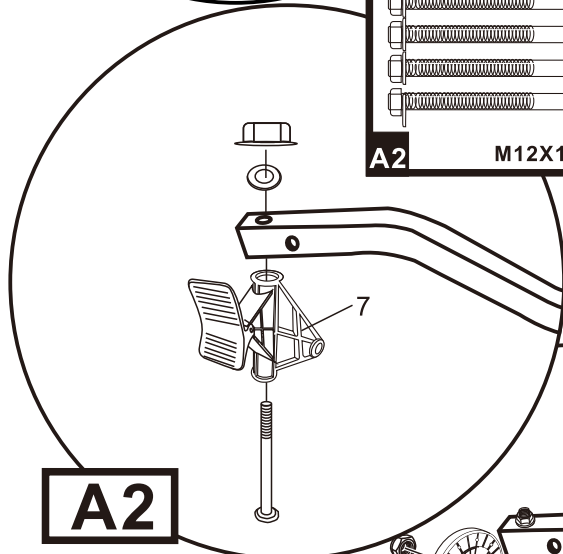
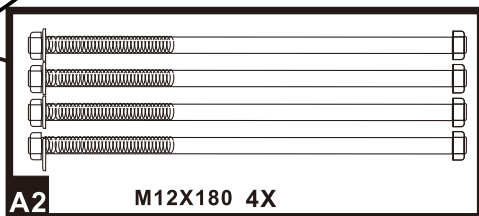
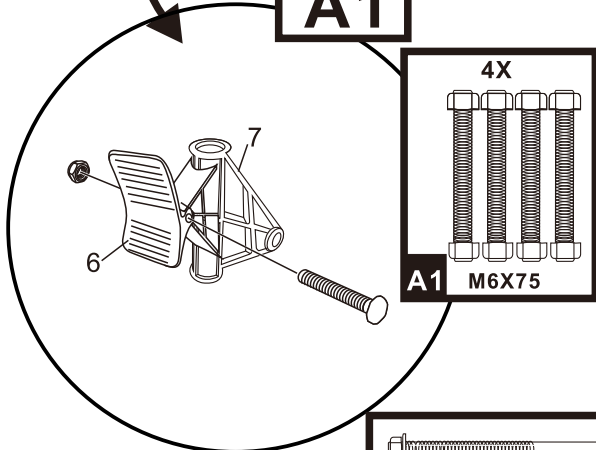
4X

A3 M8X85

A

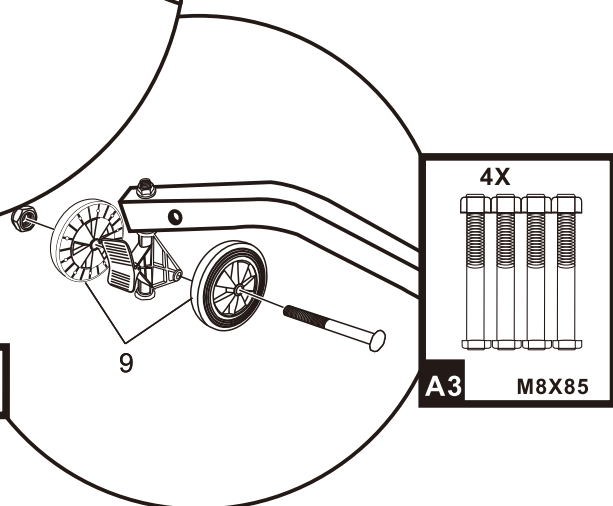


A1



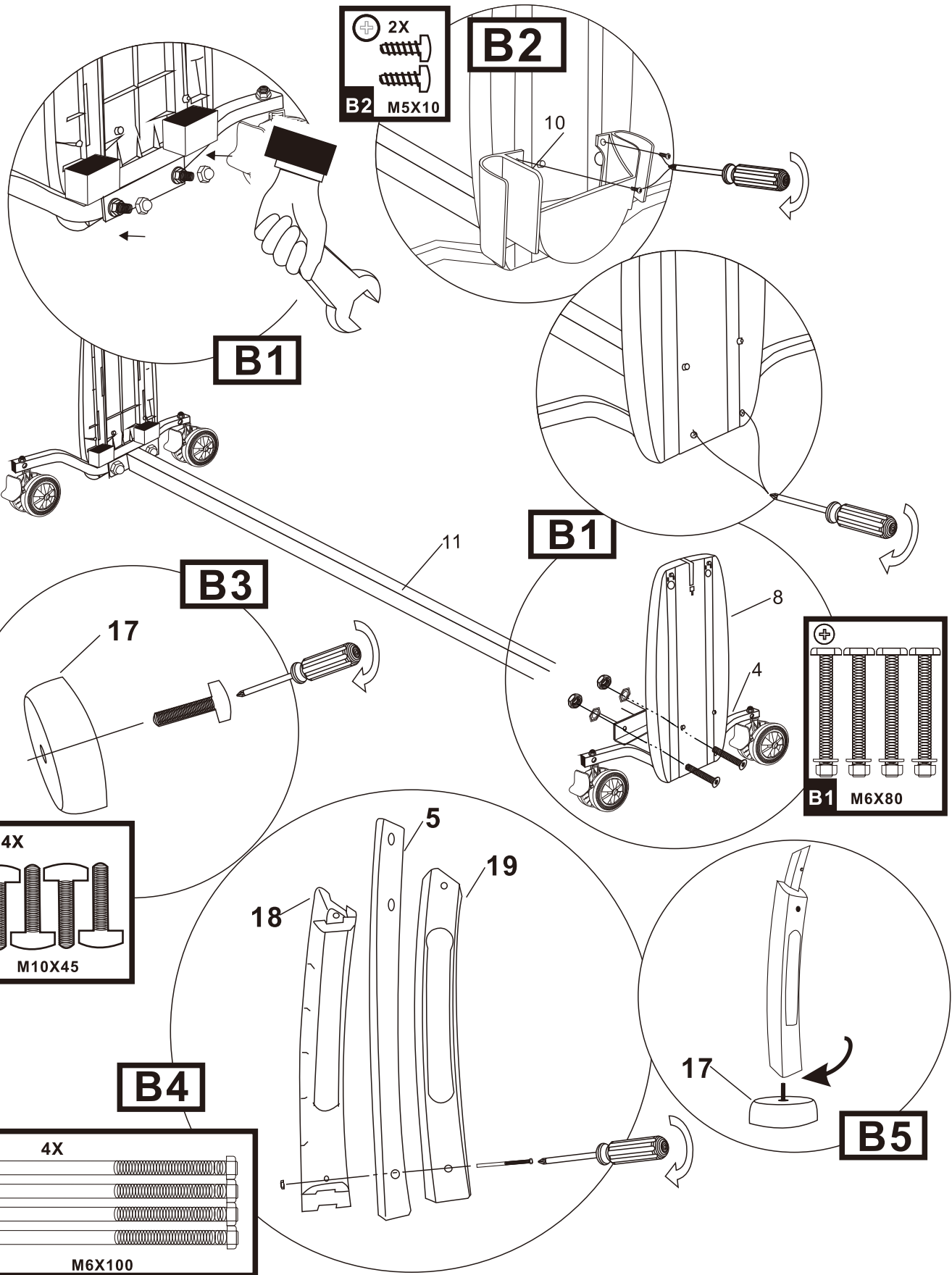
A2

A3

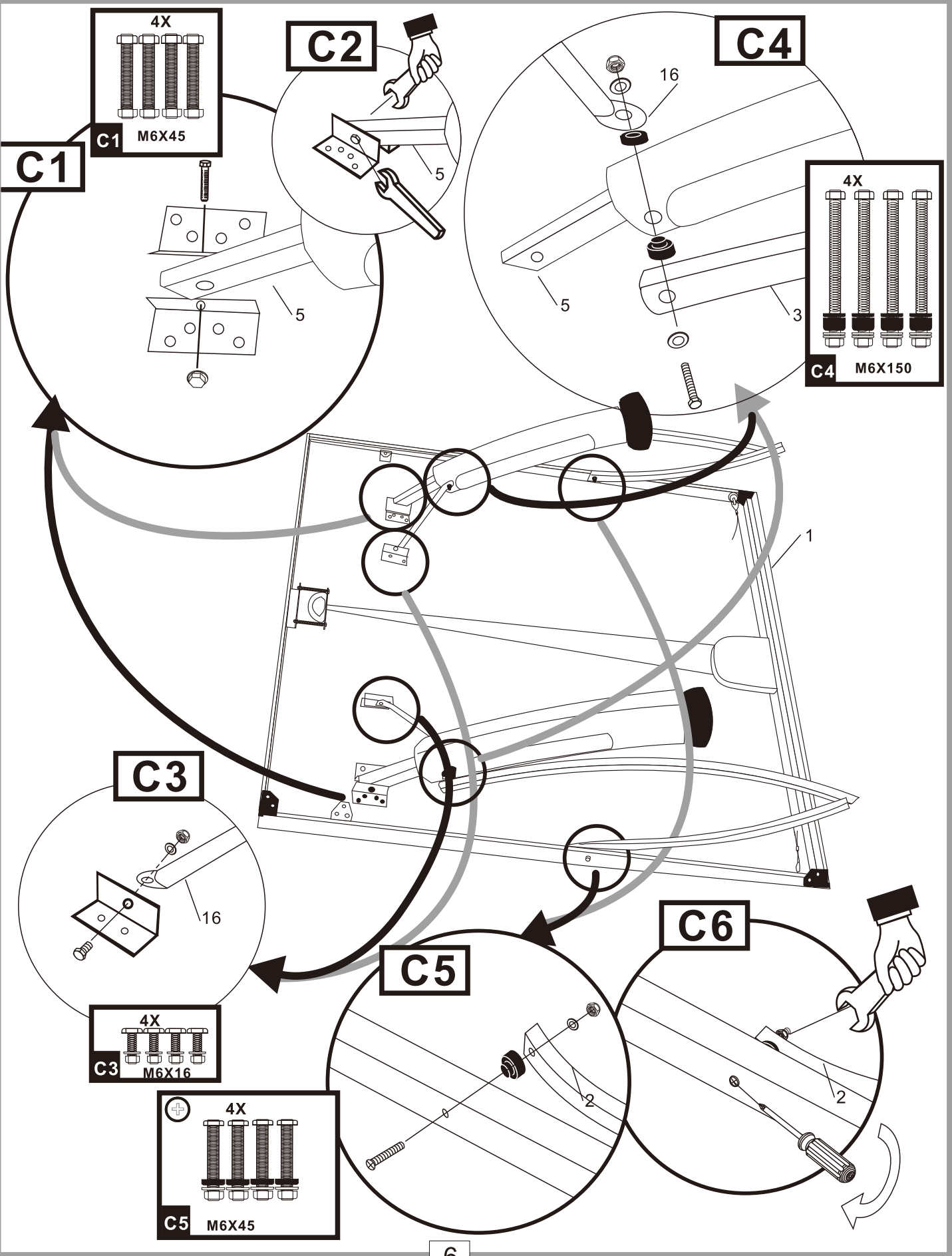


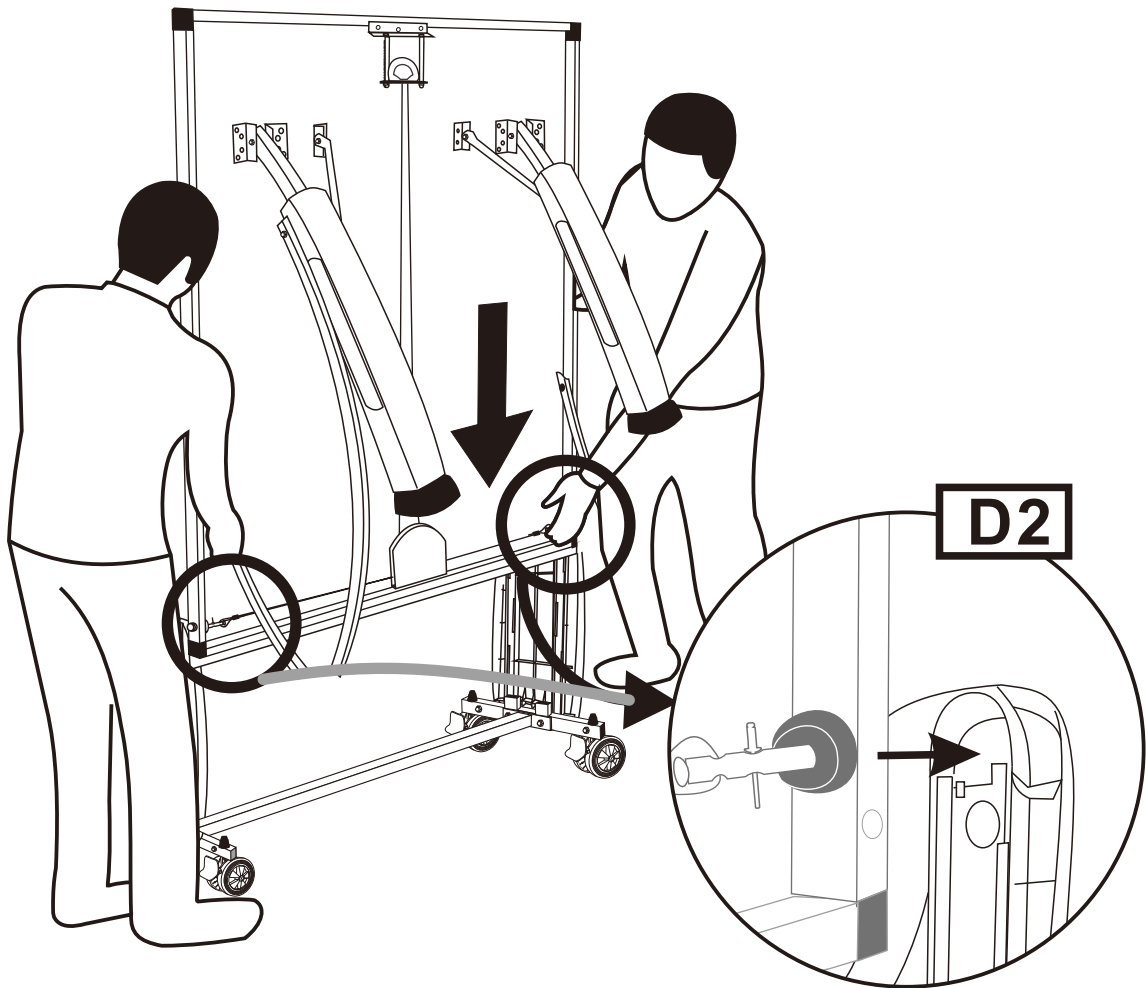
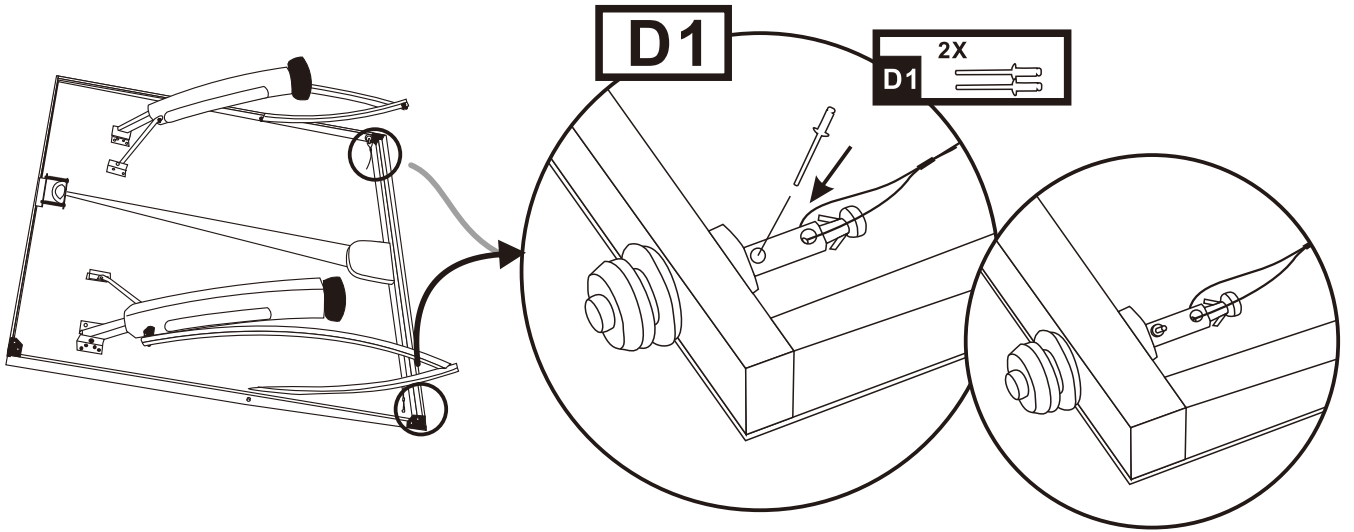
A3 M8X85

B

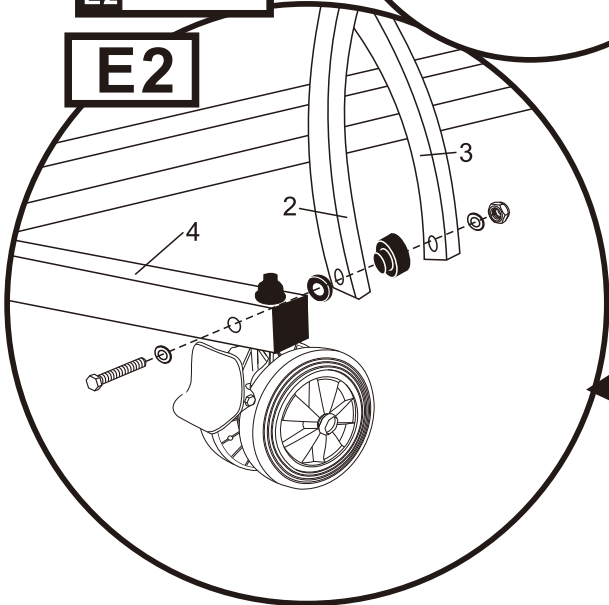
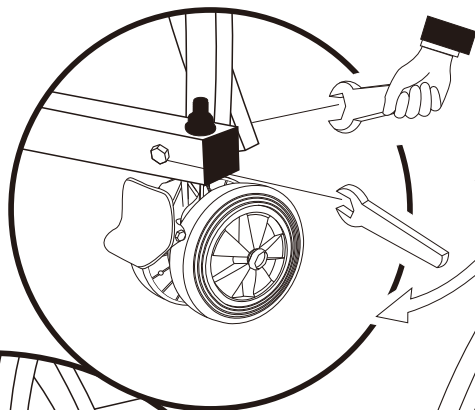
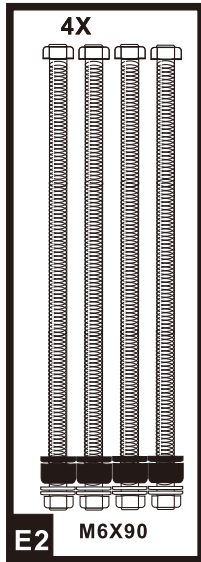
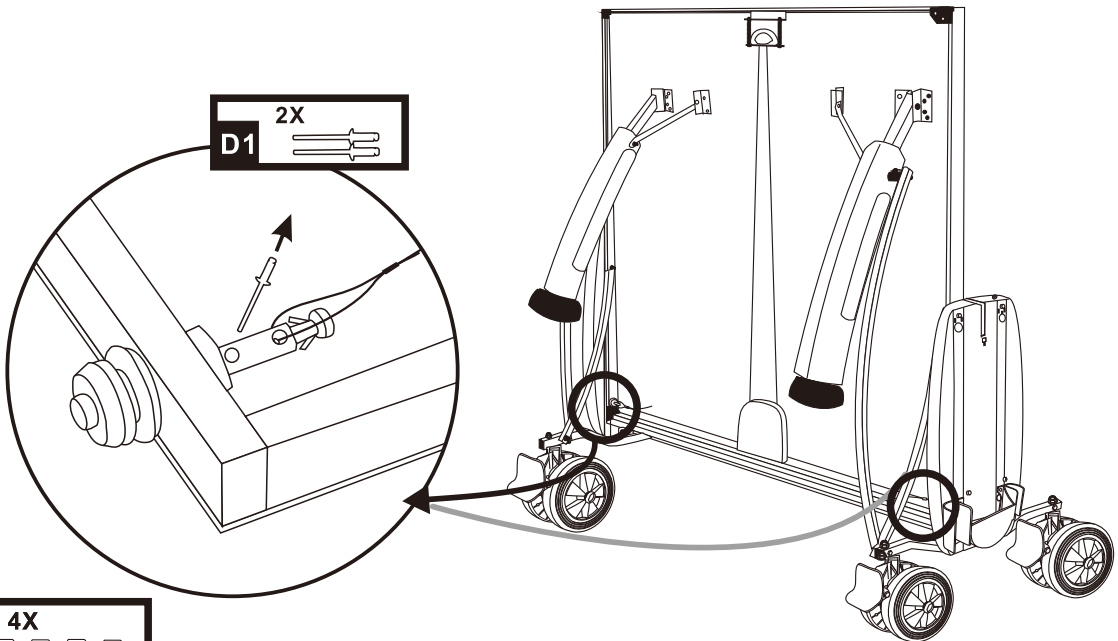


C

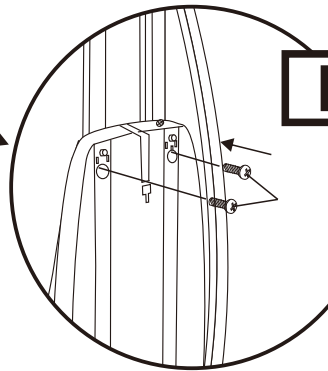
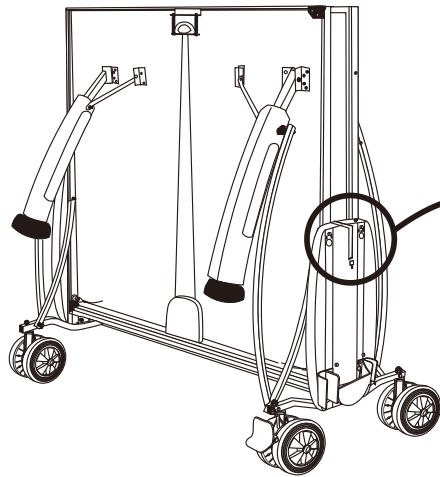
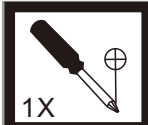




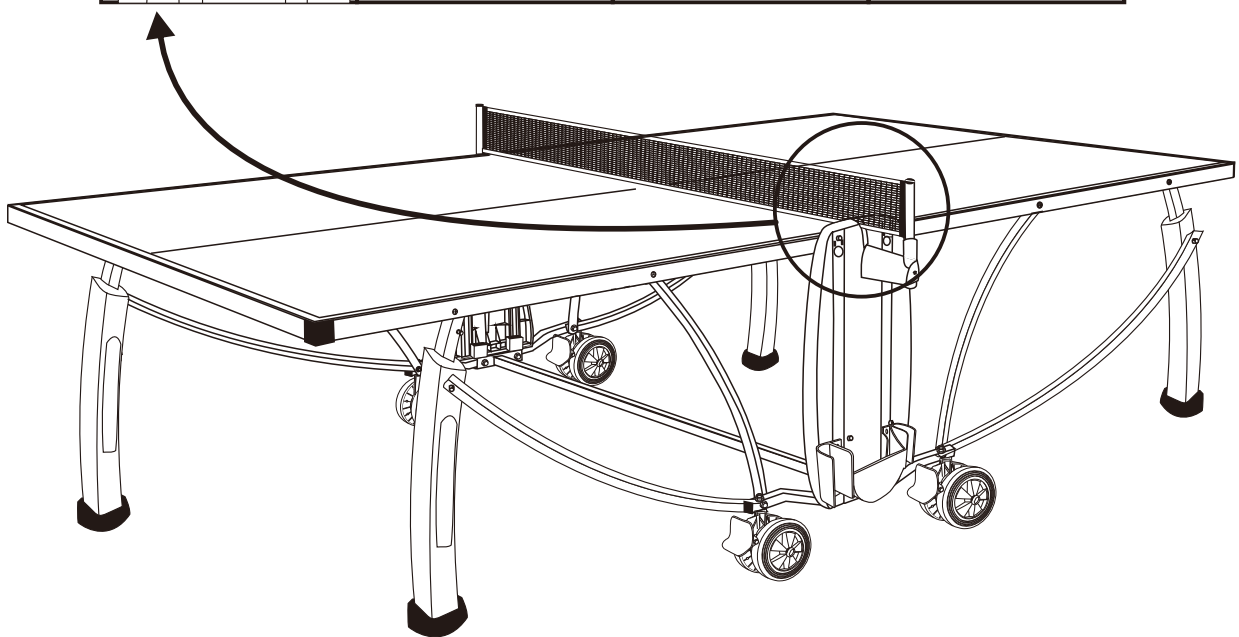
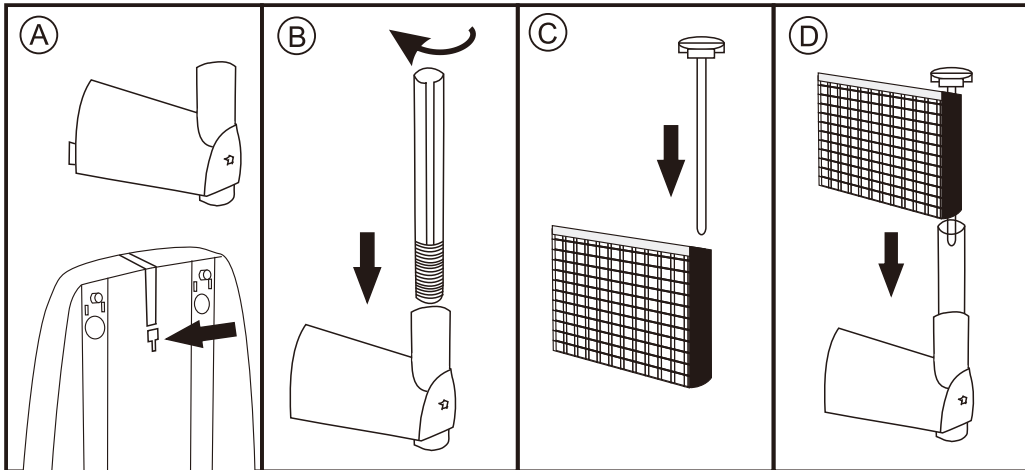
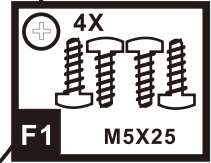
E



F



F1

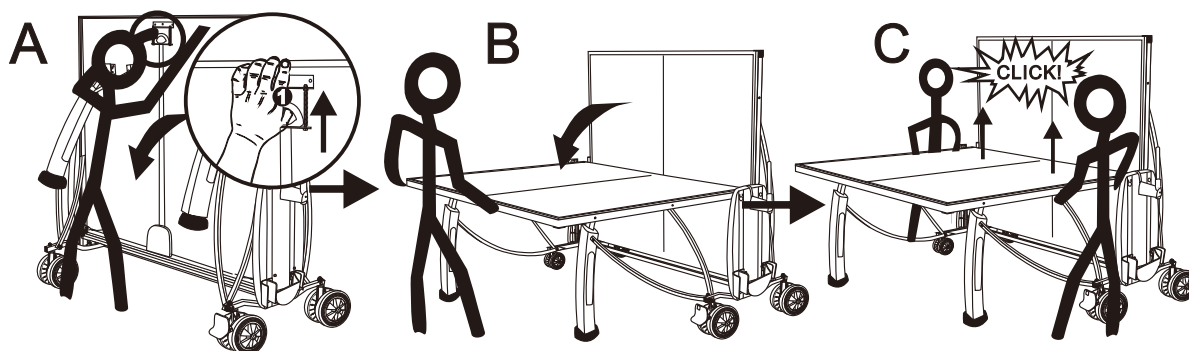


Open the table

A) Lift the handle to release. Hold the handle in position while the table top is being lowered.

B) Lower the table top to the game position. Do not allow it to fall as this might damage your table or cause injury.

C) Be certain the table is locked in place by lifting the table top from each side of the net.

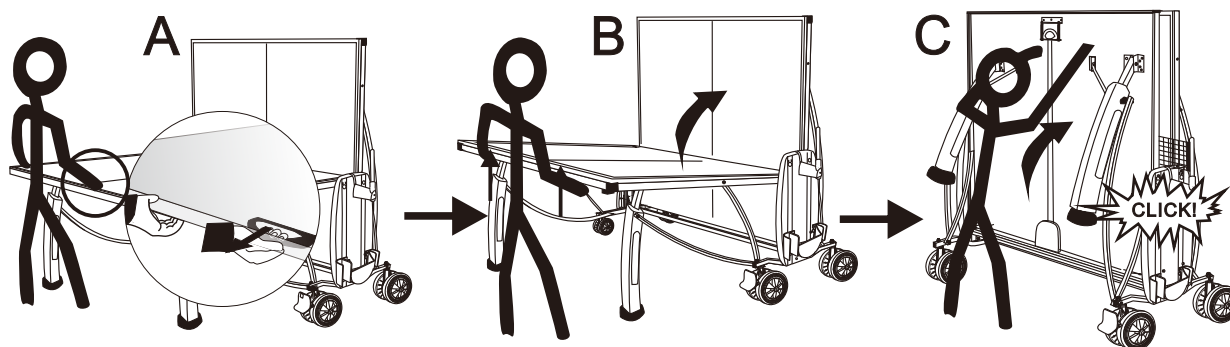


Close the table

A) Pull back the handle under the table top to release. Hold the handle in position while the table top is being lifted.

B) Lift the table top up to its storage position.

C) For your safety, check that the table top is properly locked.



Test marks for the assembly



Please repeat these assembly steps with the second half top.



Go back to step “**c**” and assemble the second table top.



Please check all the working parts of the table in accordance with the instructions for use (p 3) after you have completed assembly.
Some of our tables have a protective coating on the playing surface.
If applicable please take care when removing this coating.